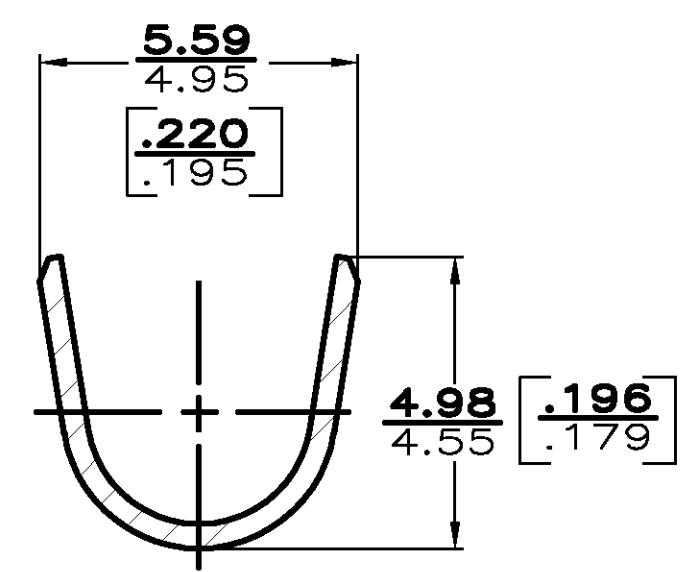
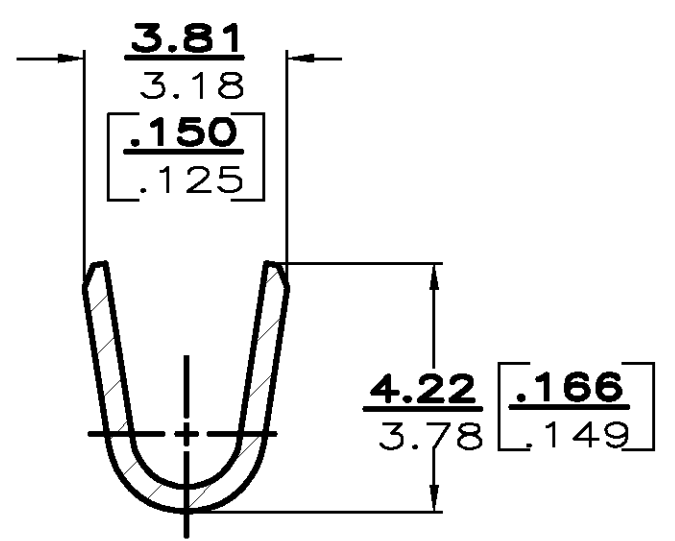
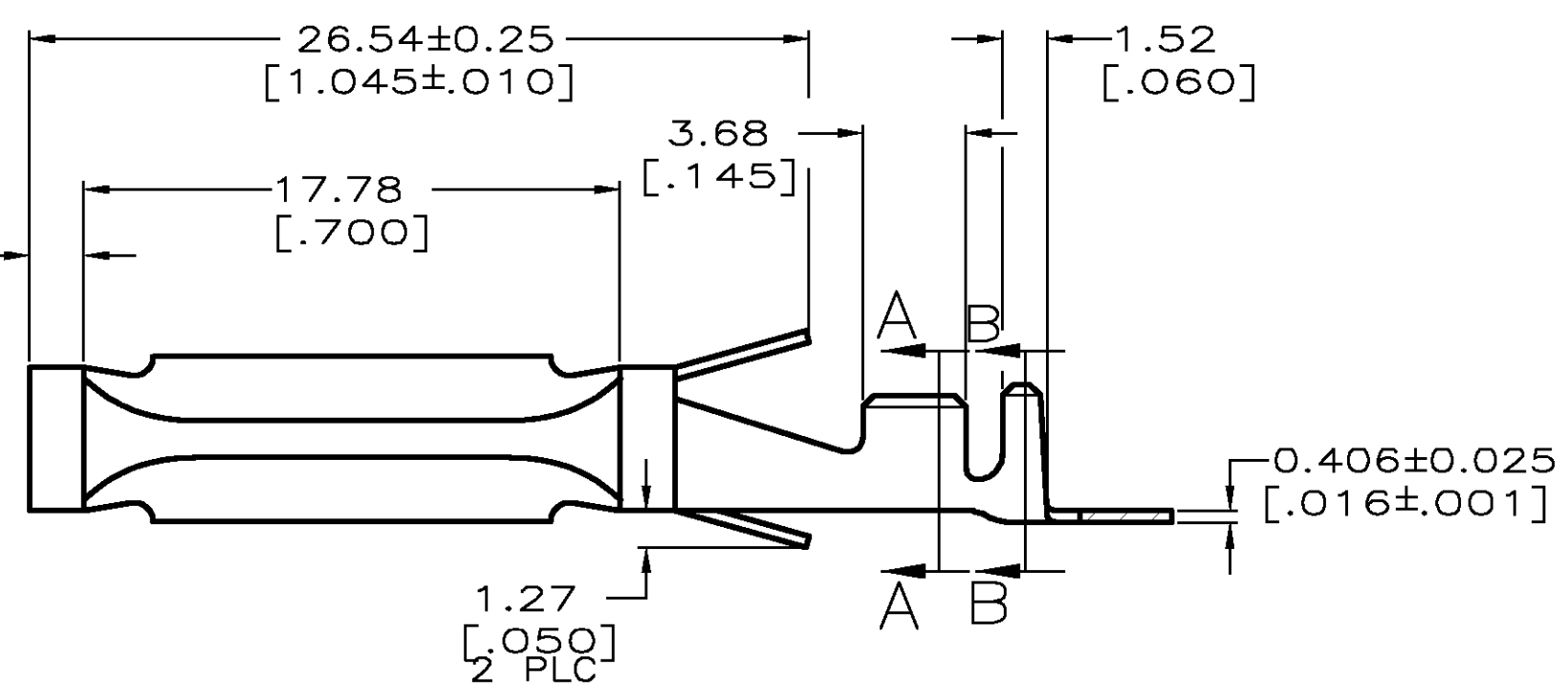
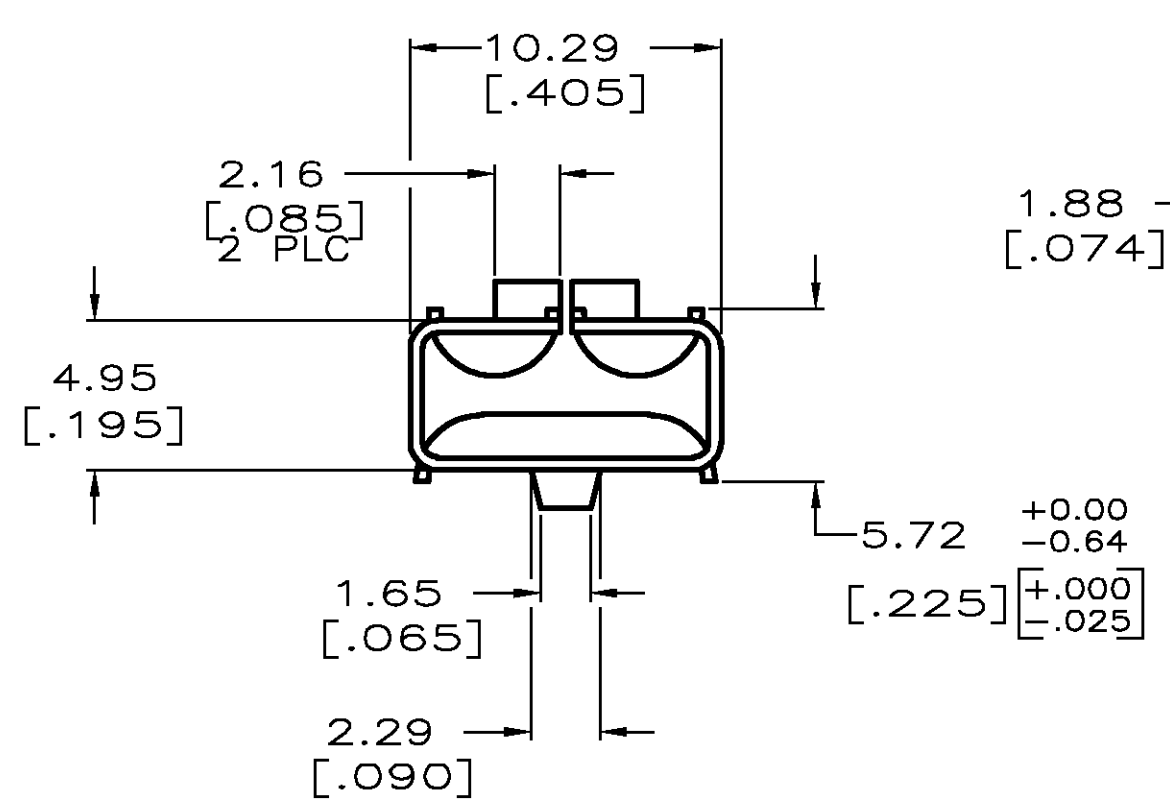
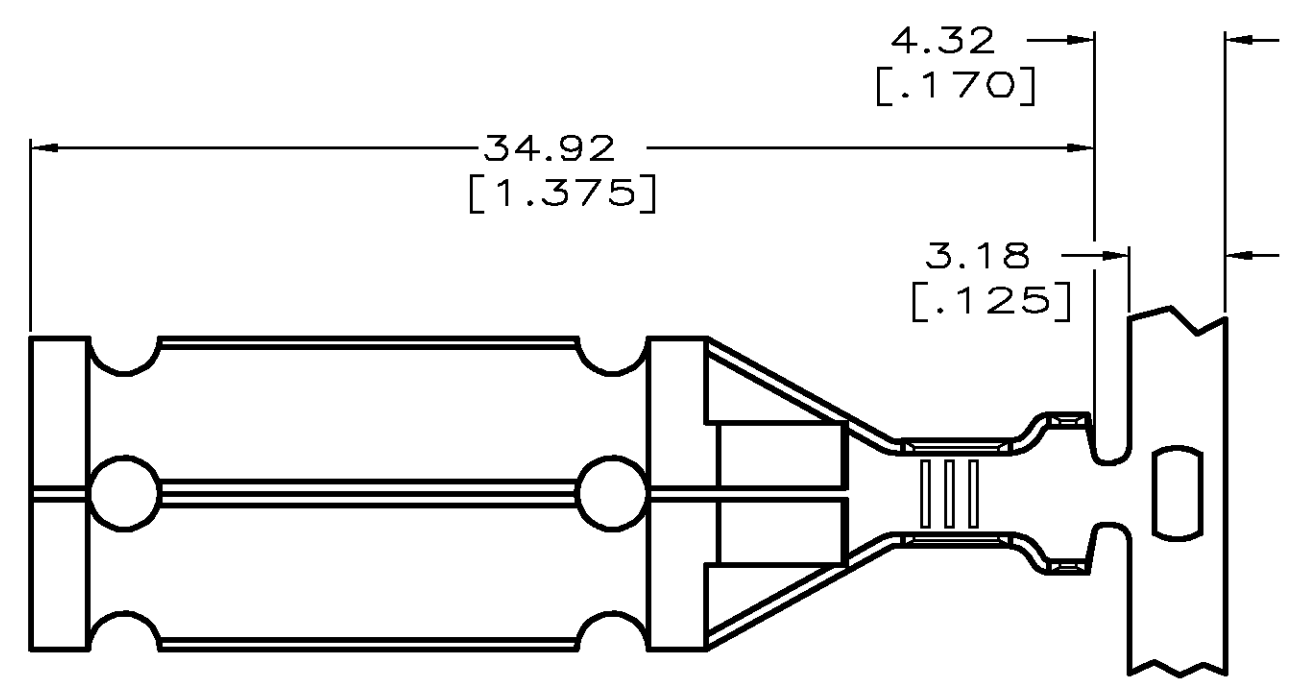


THIS DRAWING IS UNPUBLISHED. RELEASED FOR PUBLICATION
 © COPYRIGHT BY TYCO ELECTRONICS CORPORATION. ALL RIGHTS RESERVED.

LOC	DIST	REVISIONS			
P	LTR	DESCRIPTION	DATE	DWN	APVD
AF	50	J	REVIS PER 0G3A-0692-02	18NOV02	MF DD

- 1 CONTINUOUS STRIP ON REELS.
- 2 WIRE RANGE: 0.8-2.0mm² [18-14] AWG.
- 3 INSULATION RANGE: 2.67-3.91 [.105-.154] DIA.
- △ PRELIMINARY - NOT FOR PRODUCTION.



MATERIAL	PART NUMBER
COPPER-NICKEL-SILICON ALLOY	770321-3
BERYLLIUM COPPER	770321-2
COPPER ALLOY	770321-1

OBSOLETE

SECTION A-A
SCALE 10:1

SECTION B-B
SCALE 10:1

THIS DRAWING IS A CONTROLLED DOCUMENT.		DWN 18NOV2002 MICHAEL S. FEHER	Tyco Electronics Corporation Harrisburg, PA 17105-3608	
DIMENSIONS: INCHES		CHK 18NOV2002 DONALD F. DECKER	RECEPTACLE, PLUG-IN MODULE, SURFACE BURNER	
TOLERANCES UNLESS OTHERWISE SPECIFIED:		APVD 18NOV2002 DONALD F. DECKER	SIZE A2	CAGE CODE 00779
0 PLC ± -	1 PLC ± -	PRODUCT SPEC -	DRAWING NO C-770321	RESTRICTED TO -
2 PLC ± 0.25 [.010]	3 PLC ± -	APPLICATION SPEC -	SCALE 4:1	SHEET 1 OF 1
4 PLC ± -	ANGLES ± -	FINISH -	CUSTOMER DRAWING	REV J
MATERIAL SEE TABLE				